



HANDBOOK

S2 Solutions Furniture



Manufacturers of Audio Products for AV,
Installed Sound, Broadcast Radio & Broadcast TV

SONIFEX

For the latest Sonifex handbook information please visit the
Sonifex website at www.sonifex.co.uk

This handbook is for use with the following product:

S2 Solutions Furniture

AW10924B

Stock Code: 30-129

Revision 1.01, September 2018

©Sonifex Ltd, 2018

All Rights Reserved

Sonifex Ltd, 61, Station Road, Irthlingborough,
Northants, NN9 5QE, England.

Tel: +44 (0)1933 650 700

Fax: +44 (0)1933 650 726

Email: sales@sonifex.co.uk

Website: <http://www.sonifex.co.uk>

Information in this document is subject to change without notice and does not represent a commitment on the part of the vendor. Sonifex Ltd shall not be liable for any loss or damage whatsoever arising from the use of information or any error contained in this manual.

No part of this manual may be reproduced or transmitted in any form or by any means, electronic or mechanical, including photocopying, recording, information storage and retrieval systems, for any purpose other than the purchaser's personal use, without the express written permission of Sonifex Ltd. Unless otherwise noted, all names of companies, products and persons contained herein are part of a completely fictitious adaptation and are designed solely to document the use of Sonifex product.

Contents

Product Warranty - 2 Year Extended	i
Sonifex Warranty & Liability Terms & Conditions	i
Unpacking Your Product	ii
Repairs & Returns	iii
CE Conformity	iii
Safety & Installation of Mains Operated Equipment	iii
Voltage Setting Checks	iii
Fuse Rating	iii
Power Cable & Connection	iii
WEEE Directive	iv
Atmosphere/Environment	iv
1 Introduction	1
2 S2 Solutions Single Mixer Furniture Installation	2
Main Components	2
Fitting the Main SOL-MB1300 or SOL-MB1500 Mixer Desk Top to the SOL-SB1600 Side Work-Surface	2
Adjusting the Height of the Furniture	3
Fitting the SOL-D8, or SOL-D12 Desk Top 19" Rack	4
Fitting the Optional SOL-T12 Top 19" Rack	4
Fitting the SOL-CVR80 Desk End Cover Panel	4
Assembling U-Shaped S2 Solutions Single Mixer Furniture	5
S2 Solutions Single Mixer Furniture Full Assembly	5
3 S2 Solutions Split Mixer Furniture Installation	6
Main Components	6
Assembly of the SOL-MBR, SOL-MBL and the SOL-MBC Mixer Work-Surfaces	7
Fitting the SOL-SB1000 Side Work-Surfaces	7
Fitting the SOL-D8, or SOL-D12 Desk Top 19" Rack	8
Fitting the Optional SOL-T12 Top 19" Rack	8
S2 Solutions Split Mixer Furniture Full Assembly	9

Figures

Fig 2-1: S2 Solutions Single Mixer L Shaped Furniture, Viewed From Above.	2
Fig 2-2a: SOL-MB1300 or SOL-MB1500 and SOL-SB1600 assembly.	3
Fig 2-2b: SOL-B12 support base 19" rack attachment.	3
Fig 2-3: Detail of adjustable feet on SOL-B12 support base 19" rack and the SOL-LGG80.	3
Fig 2-4: Fitting the Optional SOL-T12 Top 19" Rack.	4
Fig 2-5: S2 Solutions Single Mixer Furniture Full Assembly (Dims in mm).	5
Fig 3-1: S2 Solutions Split Mixer Furniture, Viewed From Above.	6
Fig 3-2: S2 Solutions Split Mixer Work Surface Assembly.	7
Fig 3-3: Fitting SOL-LGG80 Legs to the SOL-SB1000 side return.	7
Fig 3-4: Assembling The SOL-SB1000 Side Return And SOL-B12 12U Support Base 19" Rack.	8
Fig 3-5: Fitting the Optional SOL-T12 Top 19" rack.	9
Fig 3-6: S2 Solutions Split Mixer Furniture Full Assembly (Dims in mm).	9

SONIFEX

Register Online for an Extended 2 Year Warranty

As standard, Sonifex products are supplied with a 1 year back to base warranty.

If you register the product online, you can increase your product warranty to 2 years and we can also keep you informed of any product design improvements or modifications.

Product: _____

Serial No: _____

To register your product, please go online to www.sonifex.co.uk/register

Product Warranty - 2 Year Extended

As standard, Sonifex products are supplied with a 1 year back to base warranty. In order to register the date of purchase and so that we can keep you informed of any product design improvements or modifications, it is important to complete the warranty registration online. Additionally, if you register the product on the Sonifex website, you can increase your product warranty to 2 years. Go to the Sonifex website at: <http://www.sonifex.co.uk/technical/register/index.asp> to apply for your 2 year warranty.

Note: For your own records the product serial number is recorded on the CE certification page of this handbook.

Sonifex Warranty & Liability Terms & Conditions

1. Definitions

‘the Company’ means Sonifex Ltd and where relevant includes companies within the same group of companies as Sonifex Limited.

‘the Goods’ means the goods or any part thereof supplied by the Company and where relevant includes: work carried out by the Company on items supplied by the Purchaser; services supplied by the Company; and software supplied by the Company.

‘the Purchaser’ means the person or organisation who buys or has agreed to buy the Goods.

‘the Price’ means the Price of the Goods and any other charges incurred by the Company in the supply of the Goods.

‘the Warranty Term’ is the length of the product warranty which is usually 12 months from the date of despatch; except when the product has been registered at the Sonifex website when the Warranty Term is 24 months from the date of despatch.

‘the Contract’ means the quotation, these Conditions of Sale and any other document incorporated in a contract between the Company and the Purchaser.

This is the entire Contract between the parties relating to the subject matter hereof and may not be changed or terminated except in writing in accordance with the provisions of this Contract. A reference to the consent, acknowledgement, authority or agreement of the Company means in writing and only by a director of the Company.

2. Warranty

- a. The Company agrees to repair or (at its discretion) replace Goods which are found to be defective (fair wear and tear excepted) and which are returned to the Company within the Warranty Term provided that each of the following are satisfied:
 - i. notification of any defect is given to the Company immediately upon its becoming apparent to the Purchaser;
 - ii. the Goods have only been operated under normal operating conditions and have only been subject to normal use (and in particular the Goods must have been correctly connected and must not have been subject to high voltage or to ionising radiation and must not have been used contrary to the Company’s technical recommendations);
 - iii. the Goods are returned to the Company’s premises at the Purchaser’s expense;
 - iv. any Goods or parts of Goods replaced shall become the property of the Company;

- v. no work whatsoever (other than normal and proper maintenance) has been carried out to the Goods or any part of the Goods without the Company's prior written consent; the defect has not arisen from a design made, furnished or specified by the Purchaser;
 - vi. the Goods have been assembled or incorporated into other goods only in accordance with any instructions issued by the Company;
 - vii. the defect has not arisen from a design modified by the Purchaser;
 - viii. the defect has not arisen from an item manufactured by a person other than the Company. In respect of any item manufactured by a person other than the Company, the Purchaser shall only be entitled to the benefit of any warranty or guarantee provided by such manufacturer to the Company.
- b. In respect of computer software supplied by the Company the Company does not warrant that the use of the software will be uninterrupted or error free.
- c. The Company accepts liability:
- (i) for death or personal injury to the extent that it results from the negligence of the Company, its employees (whilst in the course of their employment) or its agents (in the course of the agency);
 - (ii) for any breach by the Company of any statutory undertaking as to title, quiet possession and freedom from encumbrance.
- d. Subject to conditions (a) and (c) from the time of despatch of the Goods from the Company's premises the Purchaser shall be responsible for any defect in the Goods or loss, damage, nuisance or interference whatsoever consequential economic or otherwise or wastage of material resulting from or caused by or to the Goods. In particular the Company shall not be liable for any loss of profits or other economic losses. The Company accordingly excludes all liability for the same.
- e. At the request and expense of the Purchaser the Company will test the Goods to ascertain performance levels and provide a report of the results of that test. The report will be accurate at the time of the test, to the best of the belief and knowledge of the Company, and the Company accepts no liability in respect of its accuracy beyond that set out in Condition (a).
- f. Subject to Condition (e) no representation, condition, warranty or other term, express or implied (by statute or otherwise) is given by the Company that the Goods are of any particular quality or standard or will enable the Purchaser to attain any particular performance or result, or will be suitable for any particular purpose or use under specific conditions or will provide any particular capacity, notwithstanding that the requirement for such performance, result or capacity or that such particular purpose or conditions may have been known (or ought to have been known) to the Company, its employees or agents.

- g. (i) To the extent that the Company is held legally liable to the Purchaser for any single breach of contract, tort, representation or other act or default, the Company's liability for the same shall not exceed the price of the Goods.
- (ii) The restriction of liability in Condition (g)(i) shall not apply to any liability accepted by the Seller in Condition (c).
- h. Where the Goods are sold under a consumer transaction (as defined by the Consumer Transactions (Restrictions on Statements) Order 1976) the statutory rights of the Purchaser are not affected by these Conditions of Sale.

Unpacking Your Product

Each product is shipped in protective packaging and should be inspected for damage before use. If there is any transit damage take pictures of the product packaging and notify the carrier immediately with all the relevant details of the shipment. Packing materials should be kept for inspection and also for if the product needs to be returned.

Repairs & Returns

Please contact Sonifex or your supplier if you have any problems with your Sonifex product. Email technical.support@sonifex.co.uk for the repair/upgrade/returns procedure, or for support & questions regarding the product operation.

CE Conformity

The products in this manual comply with the essential requirements of the relevant European health, safety and environmental protection legislation.

The technical justification file for this product is available at Sonifex Ltd.

The declaration of conformity can be found at:

<http://www.sonifex.co.uk/declarations>

WEEE Directive



The Waste Electrical and Electronic Equipment (WEEE) Directive was agreed on 13 February 2003, along with the related Directive 2002/95/EC on Restrictions of the use of certain Hazardous Substances in electrical and electronic equipment (RoHS). The Waste Electrical and Electronic Equipment Directive (WEEE) aims to minimise the impacts of electrical and electronic equipment on the environment during their life times and when they become waste. All products manufactured by Sonifex Ltd have the WEEE directive label placed on the case. Sonifex Ltd will be happy to give you information about local organisations that can reprocess the product when it reaches its “end of use”, or alternatively all products that have reached “end of use” can be returned to Sonifex and will be reprocessed correctly free of charge.

Atmosphere/Environment

This apparatus should be installed in an area that is not subject to excessive temperature variation (<0°C, >50°C), moisture, dust or vibration.

This apparatus shall not be exposed to dripping or splashing, and no objects filled with water, such as vases shall be placed on the apparatus.

1 Introduction

The information provided here is for the assembly of the S2 Solutions furniture. For information on the assembly of the mixer and other equipment please refer to the specific equipment handbooks.

Section 2 covers the assembly of the S2 Solutions Single Mixer furniture (usually L-shaped, but can be U-shaped).

Section 3 covers the S2 Solutions Split Mixer furniture assembly (usually U-shaped, but can be L-shaped).

The studio furniture has been designed by Sonifex to offer a series of modular components that create a flexible package that can be tailored to suit various room sizes and customer requirements. Please read this document thoroughly before you start to install the furniture.

The Sonifex S2 Solutions can also be purchased as a fully featured, low price radio studio package, which is complete in every detail. The packages are centred around the Sonifex S2 mixing console, set in custom technical furniture. With both guest and presenter positions, the package is ideal for hospital radios, RSL's, sports grounds, colleges and university media studies departments.

The studio furniture is ergonomically designed to house all of the technical equipment and place frequently used items within easy reach of the presenter. Manufactured in high quality ash, the furniture modules can be arranged in either L or U shaped layouts and the L shaped components can be installed either left-handed or right handed. The surfaces are covered with hard wearing, blue/grey mottled linoleum surfaces which are not only robust but also have good acoustic qualities - items dropped onto the surface produce a dull thud, to which the microphone is not sensitive. The edges of the woodwork have a grey/black edging strip with ash trim set back underneath the work-top.

Alternatively for applications where the requirements are different, full custom packages can be accommodated. Please contact Sonifex Ltd for a competitive quote.

Room Requirements

The Solutions radio package was designed to compliment small studios and its' compact dimensions should allow installation in almost any room. It is worth noting that you will need to allow additional room around the package for the presenter and guests to sit comfortably.

You should fully consider the acoustics of your proposed room. Sound isolation from the world outside is essential if you wish to produce quality radio programmes. Ideally, the walls should be covered in a non acoustically reflective surface.

Manpower and Tools Needed

The furniture can be unpacked and initially assembled by one person, but there will be times when two people need to be present to erect or move the furniture. Please adhere to your company Health and Safety guidelines when lifting heavy weights.

Make sure that you have the following tools available to assemble the furniture :

- No.2 Pozi-drive screwdriver.
- A socket set with a 13mm driver.
- A 13mm open ended spanner.
- A medium length spirit level.

2 S2 Solutions Single Mixer Furniture Installation

Your S2 Solutions package should arrive boxed or wrapped. Check the condition of the boxes, packaging and woodwork and if any damage is evident report this to the carrier before signing for the packages. Also report any damage immediately to Sonifex Ltd.

Each woodwork item is supplied with its relevant fixings. Make sure that you don't throw the fixings away in the packaging.

The Single Mixer Furniture is usually configured as an L-shape but can also be assembled as a U shape if you've ordered an additional SOL-SB1600 Side return and SOL-LGG80 Table legs.

Main Components

SOL-MB1300 or SOL-MB1500	Mixer desktop that holds the S2 series mixers (either 1.3m or 1.5m wide respectively).
SOL-SB1600	Side return with joint box.
SOL-T12 (Optional)	12U top 19" rack straight double on legs.
SOL-B12	12U support base 19" rack.
SOL-D8 or SOL-D12	Desk top 19" rack (either 8U or 12U high).
SOL-LGG80	80mm silver/grey round table legs (pair).
SOL-CVR80	Desk end cover panel.

The package can be installed with the side work-surface on either the right or left hand side of the mixing console. So, your first decision will be to decide if you want the package to be left or right handed. The instructions below assume left handed operation.

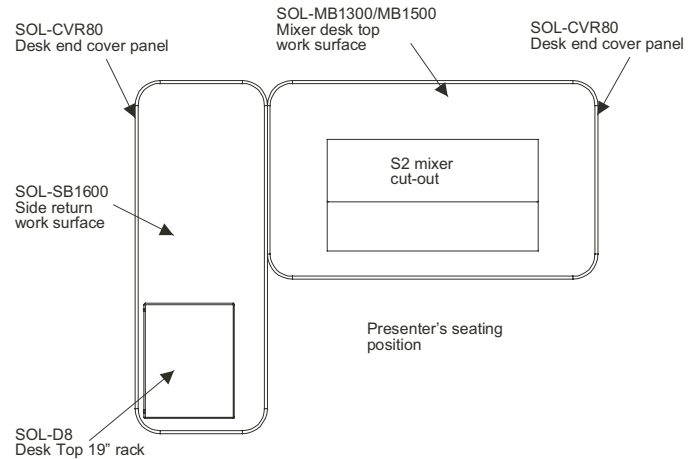


Fig 2-1: S2 Solutions Single Mixer L Shaped Furniture, Viewed From Above.

Fitting the Main SOL-MB1300 or SOL-MB1500 Mixer Desk Top to the SOL-SB1600 Side Work-Surface

- Clear an area of the floor to make sure that it is clean and free from debris (so as not to mark the desk linoleum surface).
- Place the SOL-SB1600 side work surface upside down on the floor, this is to aid the correct alignment of the two parts.
- Orient either the SOL-MB1300 or SOL-MB1500 mixer desk top so that the cable access in the side faces align with the cable access holes in the side faces of the SOL-SB1600 side work surface & place the side joint box in the gap between the two work surfaces in line with the holes in the side return.

- The two parts are fixed together with two M8 x 140mm bolts, four large flat washers and two M8 nuts supplied. These are inserted through holes in the SOL-SB1600 side work surface, the joint box and the corresponding holes in the mixer desk top.
- Screw 2 x SOL-LGG80 silver/grey round table legs into the mounting plates fitted in the SOL-SB1600 desk top and 2 table legs into the mounting plates in the mixer desk top (as shown in fig.2a).
- Place the SOL-B12 support base 19" rack to the left or right of the presenter's seat position and slightly behind it.
- Turn the connected SOL-SB1600 side work surface and the SOL-MB1300 or SOL-MB1500 mixer desk top over and place it on top of the SOL-B12 support base 19" rack, taking care not to put side load on the SOL-LGG80 round table legs (Note: This part of the installation process needs at least two people to perform it safely). Move these items by lifting the work surfaces, i.e. not by dragging along the floor.
- Move the SOL-B12 support base 19" rack into position underneath the work surfaces.

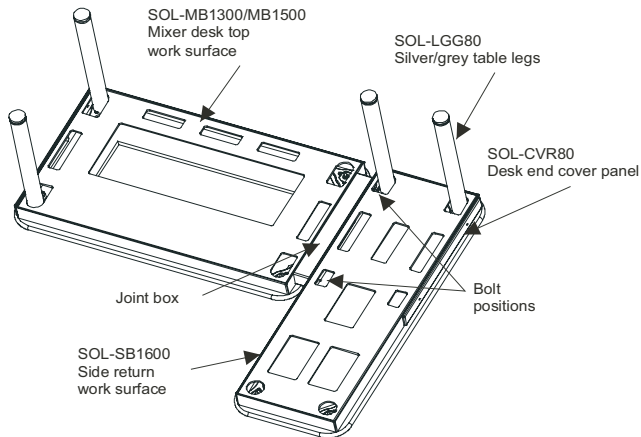


Fig 2-2a: SOL-MB1300 or SOL-MB1500 and SOL-SB1600 assembly.

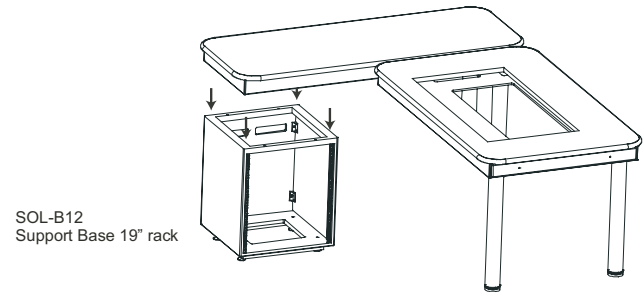
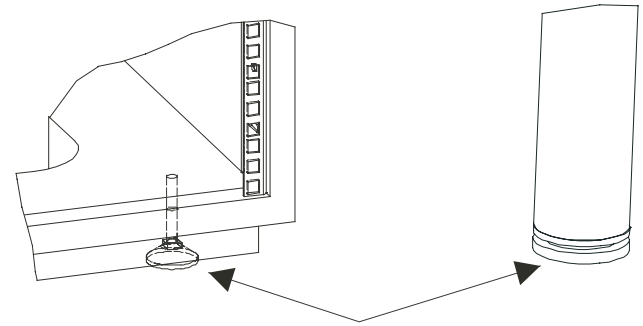


Fig 2-2b: SOL-B12 support base 19" rack attachment.

Adjusting the Height of the Furniture

Before installing the cables and equipment into the wood-work, adjust the height of the package so that it is stable and level, using the spirit level. This is achieved by adjusting the bases of the SOL-LGG80 round legs and the adjustable feet on the SOL-B12 support base 19" rack. After levelling the whole assembly check and fully tighten the M8 fixing bolts in the desktops.



Detail of adjustable feet in the SOL-B12 and on the bottom of the SOL-LGG80

Fig 2-3: Detail of adjustable feet on SOL-B12 support base 19" rack and the SOL-LGG80.

Fitting the SOL-D8, or SOL-D12 Desk Top 19" Rack

The SOL-D8 or SOL-D12 desktop 19" rack simply sits on the linoleum worktop of the SOL-SB1600 side work surface. If you are fitting the free standing SOL-D8 or SOL-D12 desk top 19" rack, you will need to cut an access hole through the top of the SOL-SB1600 side work surface to allow the cables to be fed through to the other equipment. This can be pre-cut by Sonifex when ordered as a SOL-CVRC, if a location is supplied when ordering.

Fitting the Optional SOL-T12 Top 19" Rack

Two black angled metal legs are used to support the SOL-T12 top 19" rack on the side work-surface. There are holes in the top 19" rack and SOL-SB1600 side work surface to accommodate the brackets.

- Fit the two large metal brackets in the appropriate holes in the SOL-SB1600 side work-surface. When viewed from the front edge the brackets angle backwards from the base. Each bracket is secured with four 32-043 pan head slotted screws, M6 x 30mm, with black plastic washers under the heads. These are fitted through the clearance holes in the legs and into threaded inserts in the side work surface. This now provides a support for the top 19" rack shown below :-
- Remove the two rear doors from the top 19" rack and position the top 19" rack onto the two black metal legs. The top 19" rack will need supporting by an assistant while you fit the eight 32-043 pan head slotted screws, M6 x 30mm with black plastic washers under the heads, through the clearance holes in the legs and into threaded inserts in the top 19" rack.

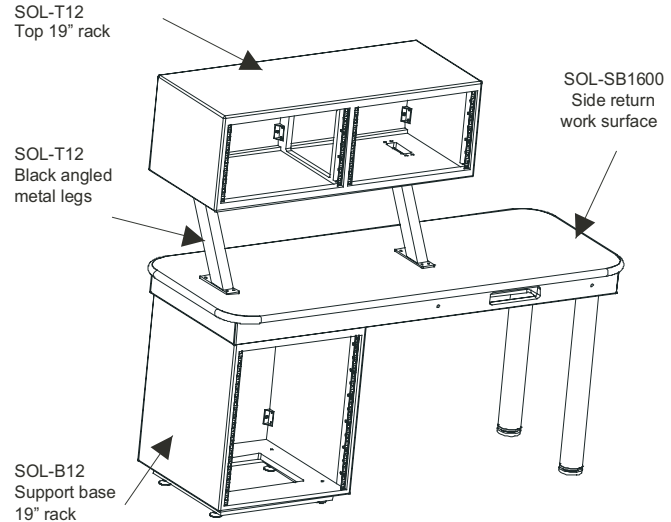


Fig 2-4: Fitting the Optional SOL-T12 Top 19" Rack.

Fitting the SOL-CVR80 Desk End Cover Panel

The end cover plate is used to cover the cable access holes in the SOL-SB1600 and the other end of the SOL-MB1300 or SOLMB1500 mixer work surface. This is fitted with the two wood screws and cups supplied.

Assembling U-Shaped S2 Solutions Single Mixer Furniture

If you have bought the additional SOL-SB1600 Side return and SOL-LGG80 Round legs to make a U shape package, follow the instructions as above and then follow them again for fitting the Side Work Surface and Main Work Surface using the new components on the other side of the SOL-MB1300 or SOL-MB1500 mixer desk top. The SOL-CVR80 Desk end cover panel should be fitted to cover the remaining access hole in the SOL-SB1600 Side return.

Your S2 Solutions Single Mixer furniture should now be successfully fitted together.

S2 Solutions Single Mixer Furniture Full Assembly

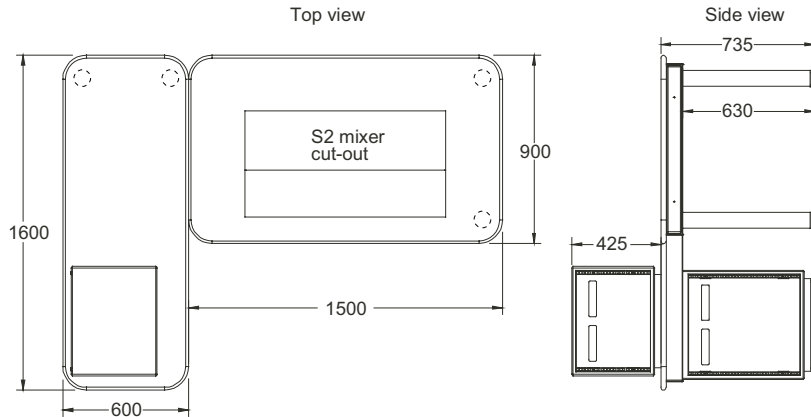


Fig 2-5: S2 Solutions Single Mixer Furniture Full Assembly (Dims in mm).

3 S2 Solutions Split Mixer Furniture Installation

Your S2 Solutions package should arrive boxed or wrapped. Check the condition of the boxes, packaging and woodwork and if any damage is evident report this to the carrier before signing for the packages. Also report any damage immediately to Sonifex Ltd.

Each woodwork item is supplied with its relevant fixings. Make sure that you don't throw the fixings away in the packaging.

Main Components

- SOL-MBR RH corner desk top that contains the right hand S2 split mixer.
- SOL-MBL LH corner desk top that contains the right hand S2 split mixer.
- SOL-MBC Mixer desk top centre section.
- SOL-SB1000 Side return with joint boxes.
- SOL-T12 (Optional) 12U top 19" rack straight double on legs.
- SOL-B12 12U support base 19" rack.
- SOL-D8 or SOL-D12 Desk top 19" rack (either 8U or 12U high).
- SOL-LGG80 80mm silver/grey round table legs (pair).

The package has left and right hand corner mixer desk tops which are pre-cut to fit the specific mixer sizes used. The SOL-SB1000 side returns are not handed and can be installed on either the right or left hand side of the main mixing console.

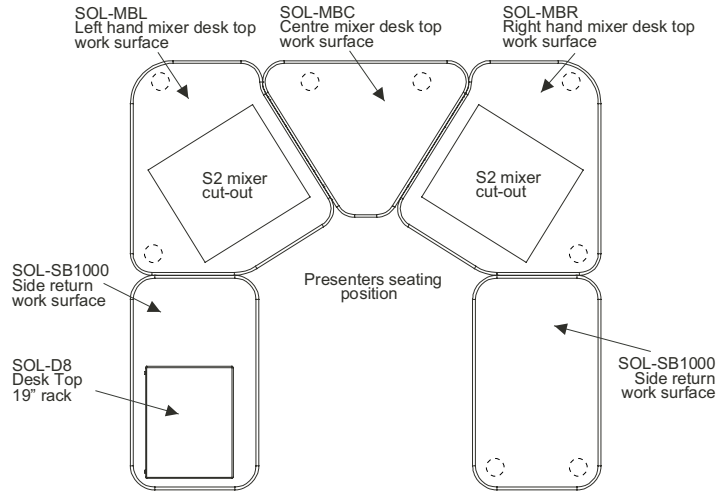


Fig 3-1: S2 Solutions Split Mixer Furniture, Viewed From Above.

Assembly of the SOL-MBR, SOL-MBL and the SOL-MBC Mixer Work-Surfaces

- Clear an area of the floor to make sure that it is clean and free from debris (so as not to mark the desk linoleum surface).
- Place the SOL-MBC mixer desk top centre section upside down on the floor with the SOL-MBL LH and SOL-MBR RH mixer corner desk tops oriented as shown in Fig. 7. This is done to aid the correct alignment of the three parts.
- The three parts are fixed together with four x M8 x 60mm bolts, eight large flat washers and four M8 nuts supplied. These are inserted through holes in the SOL-MBC mixer desk top centre section and the SOL-MBL LH and SOL-MBR RH mixer corner desk tops.
- Screw the six SOL-LGG80 80mm silver/grey round table legs into the mounting plates fitted in the LH, RH & centre mixer corner desk tops.
- Turn over the main mixer work surface assembly and stand it on the round legs, taking care not to put side load on the round legs (Note: This part of the installation process needs at least two people to perform it safely).
- Move these items by lifting the work surface, i.e. not by dragging it along the floor.

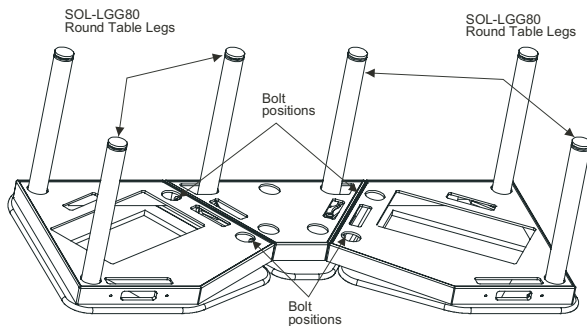


Fig 3-2: S2 Solutions Split Mixer Work Surface Assembly.

Fitting the SOL-SB1000 Side Work-Surfaces

The SOL-SB1000 side returns can each be supported either by 2 x SOL-LGG80 80mm silver/grey round table legs, or by the SOL-B12 12U support base 19" rack, depending on what you have ordered.

If fitting the SOL-SB1000 side return onto 2 x SOL-LGG80 80mm silver/grey round table legs :

- On a clear area of the floor, turn the SOL-SB1000 side return upside down and screw the 2 x SOL-LGG80 80mm silver/grey round table legs into the leg mounting plates.

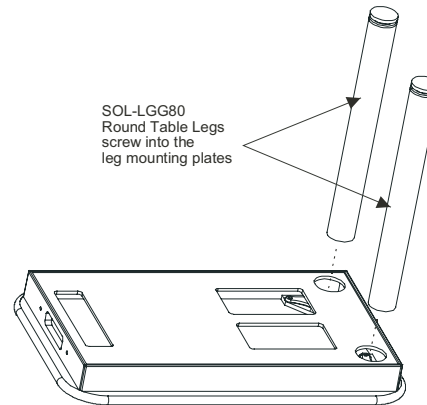
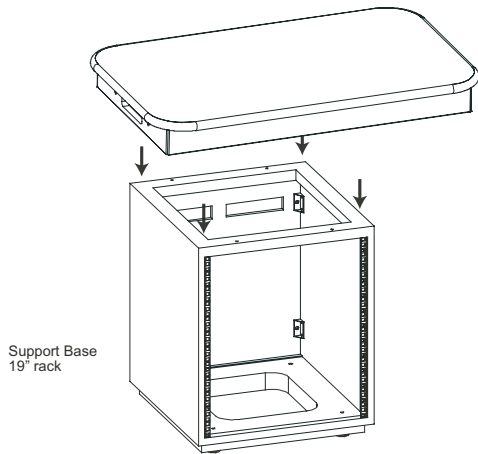


Fig 3-3: Fitting SOL-LGG80 Legs to the SOL-SB1000 side return.

- Turn over the SOL-SB1000 side return and move it so that it fits up to either the SOL-MBL LH or SOL-MBR RH mixer corner desk top. Take care not to put side load on the round legs (move these items by lifting the work surface, i.e. not by dragging it along the floor). Insert the small joint box and fit the two working surfaces together with two x M8 x 140mm bolts four large flat washers and two M8 nuts. The bolts are inserted through the SOL-SB1000 side return, the joint box and through the LH and RH mixer corner desk tops.

If fitting the SOL-SB1000 side return onto the SOL-B12 12U support base 19" rack :

- Place the SOL-B12 12U support base 19" rack to the left or right of the proposed presenters seat position and slightly behind it.
- The SOL-SB1000 side return is placed on top of the SOL-B12 12U support base 19" rack, initially to act as a support.
- Move the SOL-SB1000 side return so that it fits up to either the SOL-MBL LH or SOL-MBR RH mixer corner desk top Insert the small joint box and fit the two working surfaces together with two M8 x 140mm bolts, four large flat washers and two M8 nuts. The bolts are inserted through the SOL-SB1000 side return, the joint box and through the LH and RH mixer corner desk tops.
- Position the SOL-B12 12U support base 19" rack so that it's front is under the front lip of the SL-SB1000 side return.



Support Base
19" rack

Fig 3-4: Assembling The SOL-SB1000 Side Return And SOL-B12 12U Support Base 19" Rack.

Fitting the SOL-D8, or SOL-D12 Desk Top 19" Rack

The SOL-D8 or SOL-D12 desk top 19" rack simply sits on the linoleum worktop of the SOL-SB1000 side work surface. If you are fitting the free standing SOL-D8 or SOL-D12 desk top 19" rack, you will need to cut an access hole through the top of the SOL-SB1000 side work surface to allow the cables to be fed through to the other equipment. This can be pre-cut by Sonifex when ordered as a SOL-CVRC, if a location is supplied when ordering.

Fitting the Optional SOL-T12 Top 19" Rack

Two black angled metal legs are used to support the SOL-T12 top-pod on the side work-surface. There are holes in the top pod and SOL-SB1000 side work surface to accommodate the brackets.

- Fit the two large metal brackets in the appropriate holes in the SOL-SB1000 side work-surface. When viewed from the front edge the brackets angle backwards from the base. Each bracket is secured with four 32-043 pan head slotted screws, M6 x 30mm, with black plastic washers under the heads. These are fitted through the clearance holes in the legs and into threaded inserts in the side work surface. This now provides a support for the top 19" rack shown below (Fig 10): -
- Remove the two rear doors from the top 19" rack and position the top 19" rack onto the two black metal legs. The top 19" rack will need supporting by an assistant while you fit the eight 32-043 pan head slotted screws, M6 x 30mm with black plastic washers under the heads, through the clearance holes in the legs and into threaded inserts in the top 19" rack.

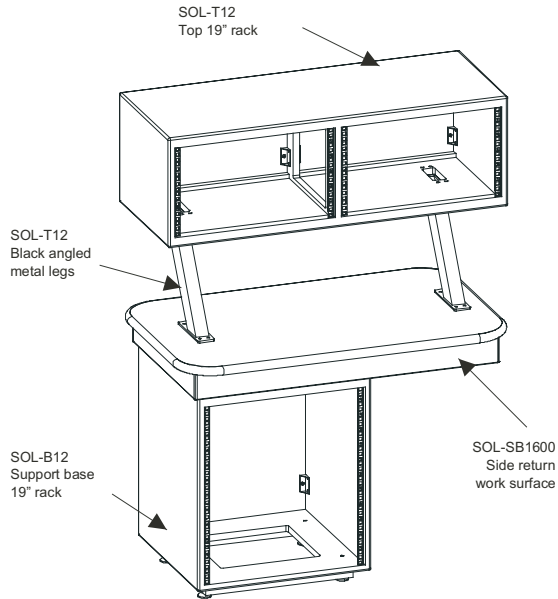


Fig 3-5: Fitting the Optional SOL-T12 Top 19" rack.

Your S2 Solutions Split Mixer furniture should now be successfully fitted together.

S2 Solutions Split Mixer Furniture Full Assembly

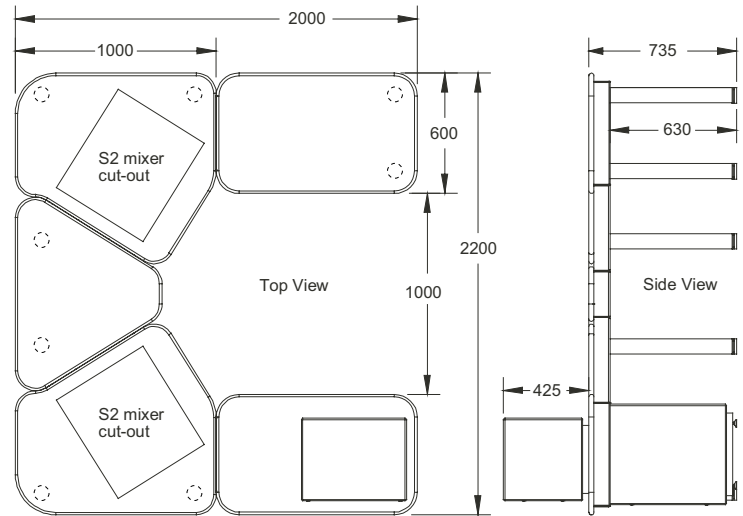


Fig 3-6: S2 Solutions Split Mixer Furniture Full Assembly (Dims in mm).

SONIFEX

www.sonifex.co.uk

t:+44 (0)1933 650 700

f:+44 (0)1933 650 726

sales@sonifex.co.uk